

WEPM5&WEPM

WOLONG
Power your future

Contents

01

卧龙集团简介 _____ 03

02

产品概述 _____ 03

03

产品技术优势 _____ 05

WE

04

电气性能参数 _____ 07

IE5

IE4

05

电机结构与安装型式 _____ 16

B3

B35

B5&V1

06

技术说明 _____ 31

07

电机订购指南 _____ 34

08

卧龙变频驱动 & 数字化服务介绍 _____ 26





| 项目 | | |
|----|---------------------|----------------|
| | | 56-315 |
| | 0.25 315kW | - |
| | 3000 1500 1000r/min | - |
| | 380V | 400V |
| | S1 | S2 S3 |
| | IE4 | - |
| | B3 | B5 B35 V1 |
| | F T 80K | H |
| | 1 | 1.0 |
| | IP55 | IP56 IP65 IP66 |
| | IC411 | IC416 |
| | | - |
| | 180 | 200 |
| | - | - |
| | - | - |
| | 33303 | 595B 45 |

WEPM5&WEPM

WE

15dB(A)

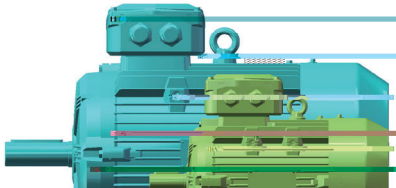
180
200

IEC

| 输出功率 (kW) | 机座号 | | | 噪音 dB(A) | | |
|-----------|-----------|------------|-------------|---------------|----------------|-----------------|
| | WE3 (IE3) | WEPM (IE4) | WEPM5 (IE5) | WE3 (IE3) LwA | WEPM (IE4) LwA | WEPM5 (IE5) LwA |
| 0.75 | 80M | 56M | 71M | 62 | 61 | 62 |
| 1.1 | 80M | 63M | 71M | 62 | 61 | 62 |
| 1.5 | 90S | 63M | 80M | 67 | 61 | 62 |
| 2.2 | 90L | 71M | 80M | 67 | 61 | 62 |
| 3 | 100L | 80M | 90S | 74 | 62 | 67 |
| 4 | 112M | 80M | 90L | 77 | 62 | 67 |
| 5.5 | 132S | 90L | 112M | 79 | 67 | 77 |
| 7.5 | 132S | 100L | 112M | 79 | 67 | 77 |
| 11 | 160M | 100L | 132S | 81 | 74 | 79 |
| 15 | 160M | 112M | 132S | 81 | 77 | 79 |
| 18.5 | 160L | 112M | 132M | 81 | 77 | 79 |
| 22 | 180M | 132S | 132M | 83 | 79 | 79 |
| 30 | 200L | 132M | 160M | 84 | 79 | 81 |
| 37 | 200L | 160M | 160L | 84 | 81 | 81 |
| 45 | 225M | 160M | 180M | 86 | 81 | 83 |

IE3 IE4 IE5

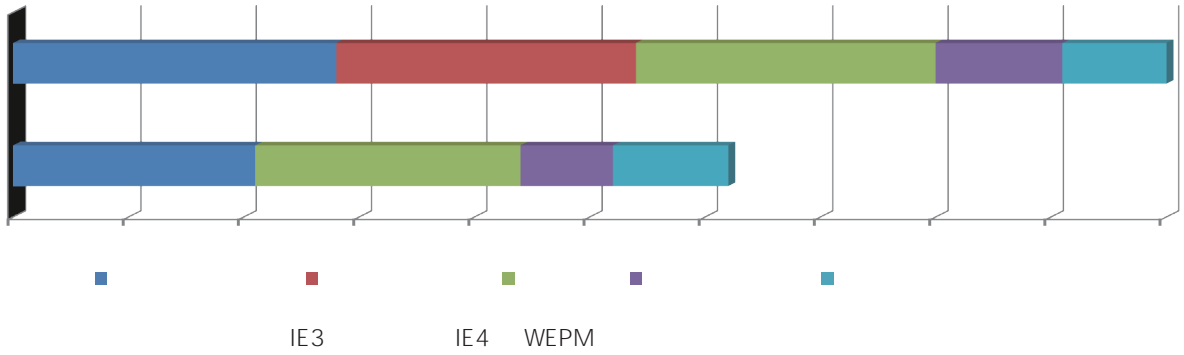
3000r/min



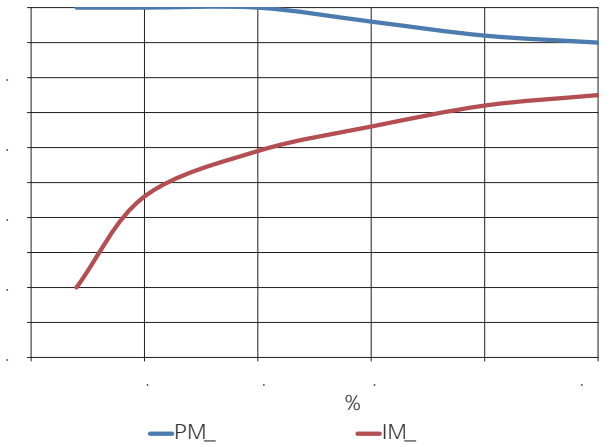
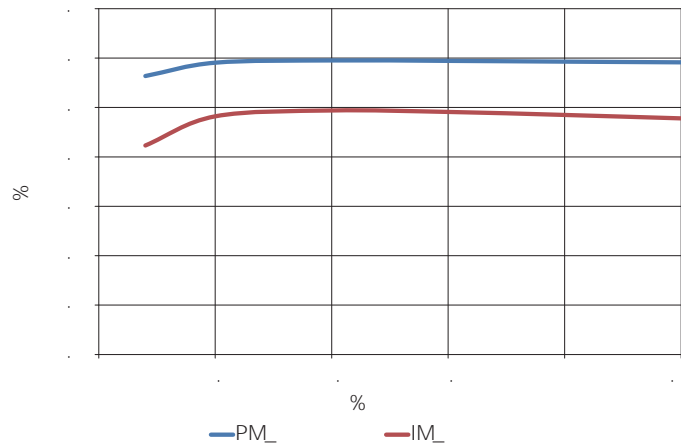
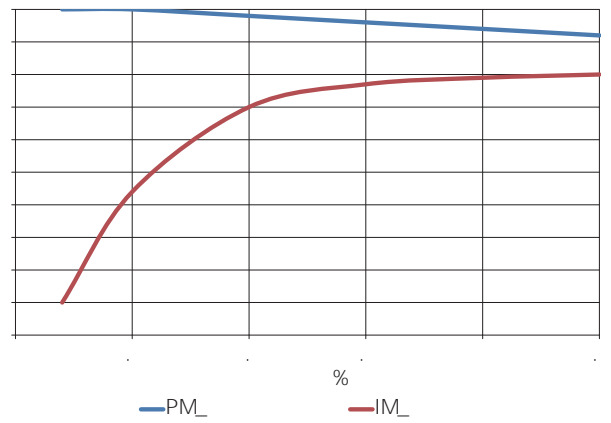
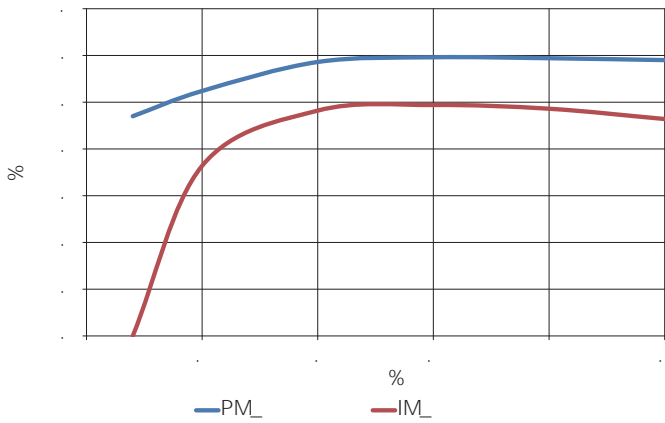
3000r/min IE4 WEPM IE3
18.5kW



IE3



1





▼ IE5



IE4

WE: PMA-3000r/min IE4

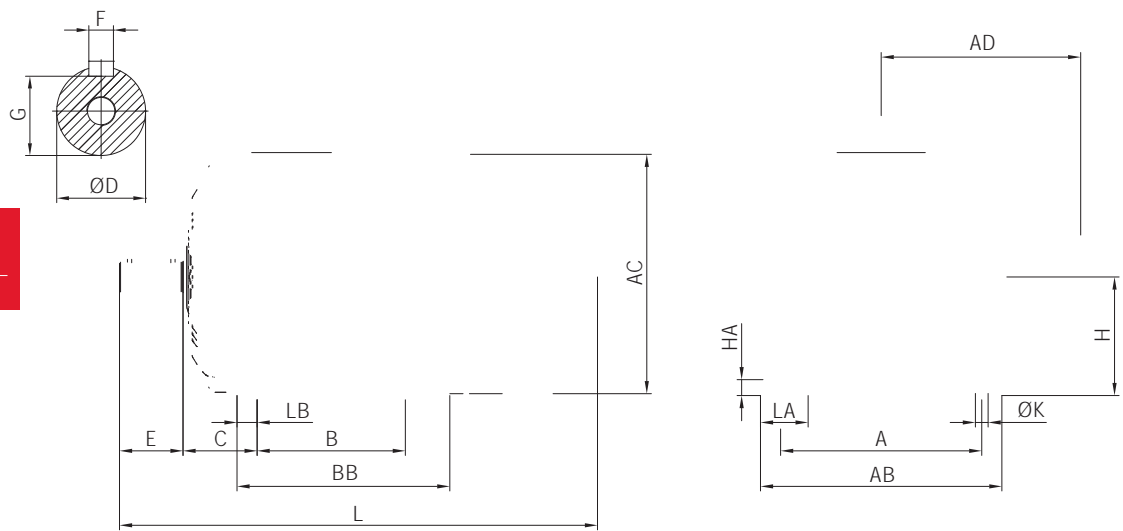
| | | 380V | | | | | | | | | | | | | | |
|------------------|--|------|------|------|-------|---|-----|-------|------|------|------|--------------|--------------------------|--------------------------|-------------------------------------|------|
| | | kW | HP | | Nm | P | Hz | r/min | | | A | Ke V/krpm | L _{WA} dB(A) | L _{PA} dB(A) | kgm ² × 10 ⁻³ | kg |
| | | | | | | | | | % | | | | | | | |
| WE:PMA-56M-3000 | | 0.55 | 0.75 | 56M | 1.8 | 4 | 100 | 3000 | 81.5 | 0.95 | 1.2 | 110 | 61 | 49 | 0.14 | 3.5 |
| WE:PMA-56M-3000 | | 0.75 | 1 | 56M | 2.4 | 4 | 100 | 3000 | 83.5 | 0.95 | 1.6 | 110 | 61 | 49 | 0.2 | 4 |
| WE:PMA-63M-3000 | | 1.1 | 1.5 | 63M | 3.5 | 4 | 100 | 3000 | 85.2 | 0.95 | 2.3 | 113 | 61 | 49 | 0.4 | 5.2 |
| WE:PMA-63M-3000 | | 1.5 | 2 | 63M | 4.8 | 4 | 100 | 3000 | 86.5 | 0.95 | 3.1 | 113 | 61 | 49 | 0.53 | 5.8 |
| WE:PMA-71M-3000 | | 2.2 | 3 | 71M | 7.0 | 4 | 100 | 3000 | 88 | 0.95 | 4.5 | 109 | 61 | 49 | 0.94 | 10 |
| WE:PMA-80M-3000 | | 3 | 4 | 80M | 9.5 | 4 | 100 | 3000 | 89.1 | 0.95 | 6.0 | 104 | 62 | 50 | 2.17 | 13 |
| WE:PMA-80M-3000 | | 4 | 5.5 | 80M | 12.7 | 4 | 100 | 3000 | 90 | 0.95 | 7.9 | 106 | 62 | 50 | 2.6 | 15 |
| WE:PMA-90L-3000 | | 5.5 | 7.5 | 90L | 17.5 | 4 | 100 | 3000 | 90.9 | 0.95 | 10.8 | 104 | 67 | 55 | 3.03 | 16.1 |
| WE:PMA-100L-3000 | | 7.5 | 10 | 100L | 23.9 | 4 | 100 | 3000 | 91.7 | 0.95 | 14.6 | 102 | 74 | 62 | 4.03 | 20 |
| WE:PMA-100L-3000 | | 11 | 15 | 100L | 35.0 | 4 | 100 | 3000 | 92.6 | 0.95 | 21.2 | 109 | 74 | 62 | 13.1 | 31 |
| WE:PMA-112M-3000 | | 15 | 20 | 112M | 47.7 | 4 | 100 | 3000 | 93.3 | 0.95 | 28.7 | 112 | 77 | 65 | 15.44 | 32 |
| WE:PMA-112M-3000 | | 18.5 | 25 | 112M | 58.9 | 4 | 100 | 3000 | 93.7 | 0.95 | 35.3 | 109 | 77 | 65 | 19 | 39 |
| WE:PMA-132S-3000 | | 22 | 30 | 132S | 70.0 | 4 | 100 | 3000 | 94 | 0.95 | 41.8 | 108 | 79 | 67 | 30 | 47 |
| WE:PMA-132M-3000 | | 30 | 40 | 132M | 95.5 | 4 | 100 | 3000 | 94.5 | 0.95 | 56.7 | 107 | 79 | 67 | 40 | 60 |
| WE:PMA-160M-3000 | | 37 | 50 | 160M | 117.8 | 4 | 100 | 3000 | 94.8 | 0.95 | 69.8 | 112 | 81 | 68 | 75.5 | 81 |
| WE:PMA-160M-3000 | | 45 | 60 | 160M | 143.2 | 4 | 100 | 3000 | 95 | 0.95 | 84.7 | 110 | 81 | 68 | 92.6 | 89 |



IMB3
IM1001
80-100
80-90S

IMB3
IM1001
112-180

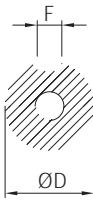
IMB3
IM1001
200-315





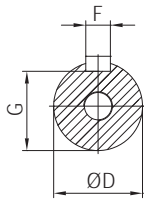
IMB3
IM1001
56-100

56-90S

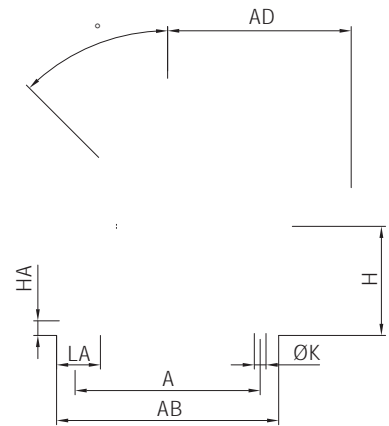
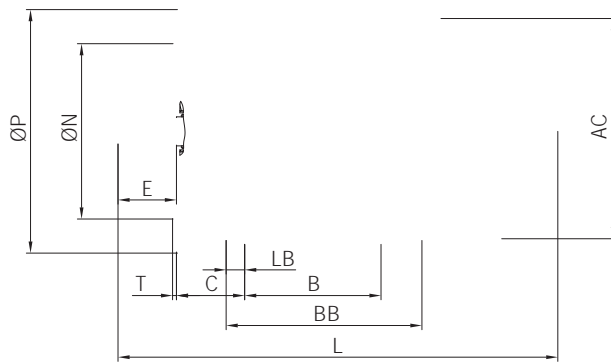


IMB3
IM1001
112-160

IMB35
IM2001
80-100



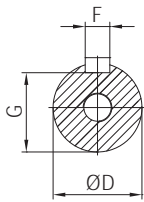
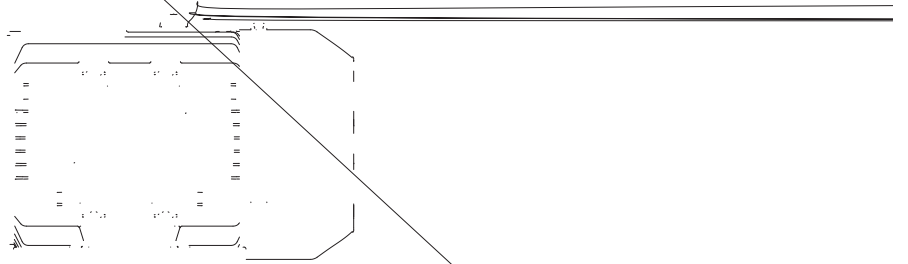
IMB35
IM2001
112-180



IMB35
IM2001
200-315

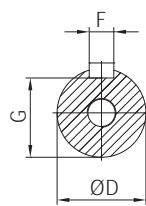
IMB35
IM 2001
56-100

56-90S

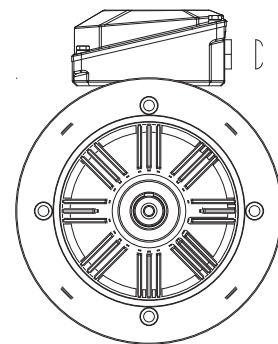
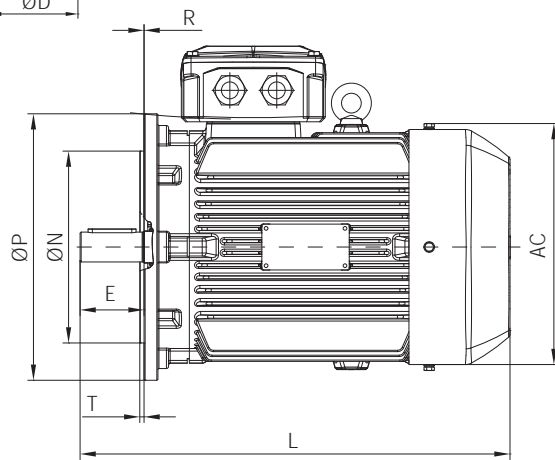


IMB35
IM 2001
112-160

IMB5/IMV1
IM 3001/IM 3011
80-100



IMB5/IMV1
IM 3001/IM 3011
112-180



IMB5/IMV1
IM 3001/IM 3011
200-315

B5&V1 IE5

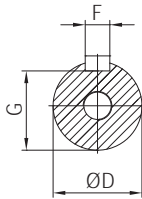
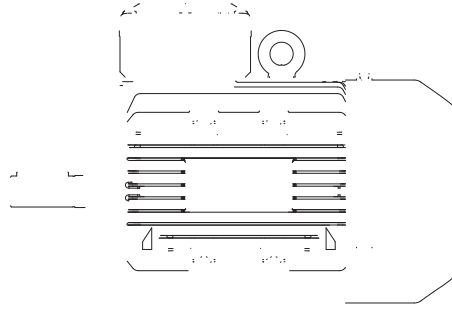
| 机座号 | 转速 (r/min) | 安装尺寸 (mm) | | | | | | | | | | 外形尺寸 (mm) | | | |
|------|------------|-----------|-----|----|------|-----|-----|-----|--------|------|-----|-----------|-----|-----|--------------|
| | | D | E | F | G | M | N | P | R | S | T | AC | AD | HD | L |
| 80M | 1000-3000 | 19 | 40 | 6 | 15.5 | 165 | 130 | 200 | 0± 1.5 | 12 | 3.5 | 163 | 136 | 241 | 299 (320) |
| 90S | 1000-3000 | 24 | 50 | 8 | 20 | 165 | 130 | 200 | 0± 1.5 | 12 | 3.5 | 177 | 149 | 254 | 329 |
| 90L | 1000-3000 | 24 | 50 | 8 | 20 | 165 | 130 | 200 | 0± 1.5 | 12 | 3.5 | 177 | 149 | 254 | 351 (370) |
| 100L | 1000-3000 | 28 | 60 | 8 | 24 | 215 | 180 | 250 | 0± 2.0 | 14.5 | 4 | 208 | 163 | 293 | 401 |
| 112M | 1000-3000 | 28 | 60 | 8 | 24 | 215 | 180 | 250 | 0± 2.0 | 14.5 | 4 | 226 | 189 | 318 | 417 (465) |
| 132S | 1000-3000 | 38 | 80 | 10 | 33 | 265 | 230 | 300 | 0± 2.0 | 14.5 | 4 | 252 | 203 | 358 | 454 |
| 132M | 1000-1500 | 38 | 80 | 10 | 33 | 265 | 230 | 300 | 0± 2.0 | 14.5 | 4 | 252 | 203 | 358 | 492 |
| 160M | 1000-3000 | 42 | 110 | 12 | 37 | 300 | 250 | 350 | 0± 3.0 | 18.5 | 5 | 318 | 256 | 436 | 590 |
| 160L | 1000-3000 | 42 | 110 | 12 | 37 | 300 | 250 | 350 | 0± 3.0 | 18.5 | 5 | 318 | 256 | 436 | 634 |
| 180M | 1500-3000 | 48 | 110 | 14 | 42.5 | 300 | 250 | 350 | 0± 3.0 | 18.5 | 5 | 360 | 279 | 458 | 655 |
| 180L | 1000-1500 | 48 | 110 | 14 | 42.5 | 300 | 250 | 350 | 0± 3.0 | 18.5 | 5 | 360 | 279 | 458 | 693 |
| 200L | 1000-3000 | 55 | 110 | 16 | 49 | 350 | 300 | 400 | 0± 3.0 | 18.5 | 5 | 396 | 321 | 526 | 796 |
| 225S | 1500 | 60 | 140 | 18 | 53 | 400 | 350 | 450 | 0± 4.0 | 18.5 | 5 | 442 | 345 | 580 | 846 |
| 225M | 3000 | 55 | 110 | 16 | 49 | 400 | 350 | 450 | 0± 4.0 | 18.5 | 5 | 442 | 345 | 580 | 841 |
| 225M | 1000-1500 | 60 | 140 | 18 | 53 | 400 | 350 | 450 | 0± 4.0 | 18.5 | 5 | 442 | 345 | 580 | 871 |
| 250M | 3000 | 60 | 140 | 18 | 53 | 500 | 450 | 550 | 0± 4.0 | 18.5 | 5 | 488 | 421 | 696 | 929 |
| 250M | 1000-1500 | 65 | 140 | 18 | 58 | 500 | 450 | 550 | 0± 4.0 | 18.5 | 5 | 488 | 421 | 696 | 929 |
| 280S | 3000 | 65 | 140 | 18 | 58 | 500 | 450 | 550 | 0± 4.0 | 18.5 | 5 | 547 | 449 | 723 | 1007 |
| 280S | 1000-1500 | 75 | 140 | 20 | 67.5 | 500 | 450 | 550 | 0± 4.0 | 18.5 | 5 | 547 | 449 | 723 | 1007 |
| 280M | 3000 | 65 | 140 | 18 | 58 | 500 | 450 | 550 | 0± 4.0 | 18.5 | 5 | 547 | 449 | 723 | 1055 |
| 280M | 1000-1500 | 75 | 140 | 20 | 67.5 | 500 | 450 | 550 | 0± 4.0 | 18.5 | 5 | 547 | 449 | 723 | 1055 |
| 315S | 3000 | 65 | 140 | 18 | 58 | 600 | 550 | 660 | 0± 4.0 | 24 | 6 | 631 | 507 | 850 | 1190 |
| 315S | 1000-1500 | 80 | 170 | 22 | 71 | 600 | 550 | 660 | 0± 4.0 | 24 | 6 | 631 | 507 | 850 | 1220 |
| 315M | 3000 | 65 | 140 | 18 | 58 | 600 | 550 | 660 | 0± 4.0 | 24 | 6 | 631 | 507 | 850 | 1290 |
| 315M | 1000-1500 | 80 | 170 | 22 | 71 | 600 | 550 | 660 | 0± 4.0 | 24 | 6 | 631 | 507 | 850 | 1320 |
| 315L | 3000 | 65 | 140 | 18 | 58 | 600 | 550 | 660 | 0± 4.0 | 24 | 6 | 631 | 507 | 850 | 1290 |
| 315L | 1000-1500 | 80 | 170 | 22 | 71 | 600 | 550 | 660 | 0± 4.0 | 24 | 6 | 631 | 507 | 850 | 1320 |

B5&V1 IE4

| | (mm) | | | | | | | | | | (mm) | | | |
|------|------|-----|----|------|-----|-----|-----|--------|------|-----|------|-----|-----|------|
| | D | E | F | G | M | N | P | R | S | T | AC | AD | HD | L |
| 80M | 19 | 40 | 6 | 15.5 | 165 | 130 | 200 | 0± 1.5 | 12 | 3.5 | 163 | 136 | 241 | 299 |
| 90S | 24 | 50 | 8 | 20 | 165 | 130 | 200 | 0± 1.5 | 12 | 3.5 | 177 | 149 | 254 | 329 |
| 90L | 24 | 50 | 8 | 20 | 165 | 130 | 200 | 0± 1.5 | 12 | 3.5 | 177 | 149 | 254 | 351 |
| 100L | 28 | 60 | 8 | 24 | 215 | 180 | 250 | 0± 2.0 | 14.5 | 4 | 208 | 163 | 293 | 401 |
| 112M | 28 | 60 | 8 | 24 | 215 | 180 | 250 | 0± 2.0 | 14.5 | 4 | 226 | 189 | 318 | 417 |
| 132S | 38 | 80 | 10 | 33 | 265 | 230 | 300 | 0± 2.0 | 14.5 | 4 | 252 | 203 | 358 | 454 |
| 132M | 38 | 80 | 10 | 33 | 265 | 230 | 300 | 0± 2.0 | 14.5 | 4 | 252 | 203 | 358 | 492 |
| 160M | 42 | 110 | 12 | 37 | 300 | 250 | 350 | 0± 3.0 | 18.5 | 5 | 318 | 256 | 436 | 590 |
| 160L | 42 | 110 | 12 | 37 | 300 | 250 | 350 | 0± 3.0 | 18.5 | 5 | 318 | 256 | 436 | 634 |
| 180M | 48 | 110 | 14 | 42.5 | 300 | 250 | 350 | 0± 3.0 | 18.5 | 5 | 360 | 279 | 458 | 655 |
| 180L | 48 | 110 | 14 | 42.5 | 300 | 250 | 350 | 0± 3.0 | 18.5 | 5 | 360 | 279 | 458 | 693 |
| 200L | 55 | 110 | 16 | 49 | 350 | 300 | 400 | 0± 3.0 | 18.5 | 5 | 396 | 321 | 526 | 796 |
| 225S | 60 | 140 | 18 | 53 | 400 | 350 | 450 | 0± 4.0 | 18.5 | 5 | 442 | 345 | 580 | 846 |
| 225M | 60 | 140 | 18 | 53 | 400 | 350 | 450 | 0± 4.0 | 18.5 | 5 | 442 | 345 | 580 | 871 |
| 250M | 65 | 140 | 18 | 58 | 500 | 450 | 550 | 0± 4.0 | 18.5 | 5 | 488 | 421 | 696 | 929 |
| 280S | 75 | 140 | 20 | 67.5 | 500 | 450 | 550 | 0± 4.0 | 18.5 | 5 | 547 | 449 | 723 | 1007 |
| 280M | 75 | 140 | 20 | 67.5 | 500 | 450 | 550 | 0± 4.0 | 18.5 | 5 | 547 | 449 | 723 | 1055 |
| 315S | 80 | 170 | 22 | 71 | 600 | 550 | 660 | 0± 4.0 | 24 | 6 | 631 | 507 | 850 | 1220 |
| 315M | 80 | 170 | 22 | 71 | 600 | 550 | 660 | 0± 4.0 | 24 | 6 | 631 | 507 | 850 | 1320 |

IMB5/IMV1
IM 3001/IM 3011
56-100

56-90S



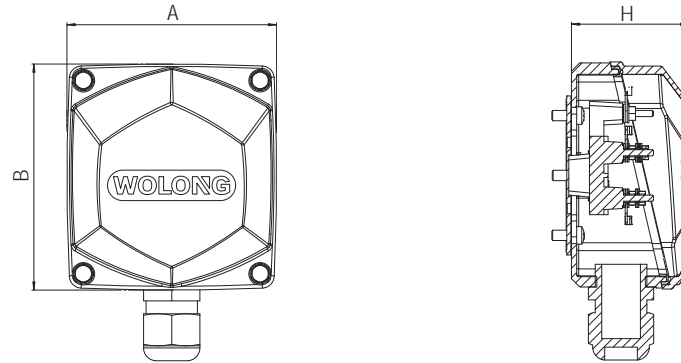
IMB5/IMV1
IM 3001/IM 3011
112-160

B5&V1 IE5

| 机座号 | 转速 (r/min) | 安装尺寸 (mm) | | | | | | | | | | 外形尺寸 (mm) | | | | |
|-----|------------|-----------|---|---|---|---|---|---|-----|---|---|-----------|----|----|---|-------|
| | | D | E | F | G | M | N | P | R | S | T | AC | AD | HD | L | |
| M | ~ | | | | . | | | | ± . | | | | | | | |
| M | ~ | | | | | | | | ± . | | . | | | | | |
| M | ~ | | | | . | | | | ± . | | . | | | | | (336) |
| S | ~ | | | | | | | | ± . | | . | | | | | |
| L | ~ | | | | | | | | ± . | | . | | | | | (370) |
| L | ~ | | | | | | | | ± . | . | | | | | | |
| M | ~ | | | | | | | | ± . | . | | | | | | (465) |
| S | ~ | | | | | | | | ± . | . | | | | | | |
| M | ~ | | | | | | | | ± . | . | | | | | | |
| M | ~ | | | | | | | | ± . | . | | | | | | |
| L | ~ | | | | | | | | ± . | . | | | | | | |

B5&V1 IE4

| | (mm) | | | | | | | | | | (mm) | | | |
|---|------|---|---|---|---|---|---|-----|---|---|------|----|----|---|
| | D | E | F | G | M | N | P | R | S | T | AC | AD | HD | L |
| M | | | | . | | | | ± . | | | | | | |
| M | | | | . | | | | ± . | | | | | | |
| M | | | | | | | | ± . | | . | | | | |
| M | | | | . | | | | ± . | | . | | | | |
| S | | | | | | | | ± . | | . | | | | |
| L | | | | | | | | ± . | | . | | | | |
| L | | | | | | | | ± . | . | | | | | |
| M | | | | | | | | ± . | . | | | | | |
| S | | | | | | | | ± . | . | | | | | |
| M | | | | | | | | ± . | . | | | | | |
| M | | | | | | | | ± . | . | | | | | |
| L | | | | | | | | ± . | . | | | | | |



IE5

| 机座号 | 外形尺寸 AxBxH (mm) | 出线孔数量及大小 | 锁紧电缆直径范围 (mm) | 接线端子螺纹 |
|---------|-----------------|-----------|---------------|--------|
| 63-80 | 90x96x50 | 1-M25x1.5 | 8- 12 | M4 |
| 90-100 | 102x110x57.5 | 1-M25x1.5 | 8- 12 | M4 |
| 112-132 | 136x146x72 | 2-M25x1.5 | 8- 12 | M5 |
| 160-180 | 171x181x91 | 2-M32x1.5 | 16- 21 | M6 |
| 200-225 | 220x230x113 | 2-M50x1.5 | 32- 39 | M8 |
| 250-280 | 270x280x162 | 2-M63x1.5 | 37- 44 | M10 |
| 315 | 312x329x175 | 2-M63x1.5 | 37- 44 | M12 |

IE5

| 机座号 | 外形尺寸 AxBxH (mm) | 出线孔数量及大小 | 单孔螺套能锁紧电缆直径范围 (mm) | 接线端子螺纹 |
|---------|-----------------|-----------|--------------------|--------|
| 63-80 | 90x96x50 | 1-M20x1.5 | 6- 12 | M4 |
| 90-100 | 102x110x57.5 | 1-M25x1.5 | 13- 18 | M4 |
| 112-132 | 136x146x72 | 2-M32x1.5 | 16- 21 | M6 |
| 160-180 | 171x181x91 | 2-M40x1.5 | 22- 32 | M8 |
| 200-225 | 220x230x113 | 2-M50x1.5 | 32- 39 | M10 |
| 250-280 | 270x280x116.5 | 2-M63x1.5 | 37- 44 | M12 |
| 315 | 312x329x175 | 2-M72x2 | 42- 52 | M16 |

IE4

| | AxBxH mm | | mm | |
|---------|---------------|-----------|--------|-----|
| 56-80 | 90x96x50 | 1-M20x1.5 | 6- 12 | M4 |
| 90-100 | 102x110x57.5 | 1-M25x1.5 | 13- 18 | M4 |
| 112-132 | 136x146x72 | 2-M32x1.5 | 16- 21 | M6 |
| 160-180 | 171x181x91 | 2-M40x1.5 | 22- 32 | M8 |
| 200-225 | 220x230x113 | 2-M50x1.5 | 32- 39 | M10 |
| 250-280 | 270x280x116.5 | 2-M63x1.5 | 37- 44 | M12 |
| 315 | 312x329x175 | 2-M72x2 | 42- 52 | M16 |

| 56-90S | - | - | - |
|---------|-----|---|---|
| 90L-112 | M8 | 1 | |
| 132 | M10 | 1 | |
| 160 | M12 | 1 | |
| 180 | M16 | 1 | |
| 200-225 | M20 | 2 | |
| 250-280 | M24 | 2 | |
| 315 | M30 | 2 | |

IE5

| 机座号 | 转速 r/min | 轴伸端 | 非轴伸端 |
|-----|-----------|--------|--------|
| 63 | 1000-3000 | 6201ZZ | 6201ZZ |
| 71 | 1000-3000 | 6202ZZ | 6202ZZ |
| 80 | 1000-3000 | 6204ZZ | 6204ZZ |
| 90 | 1000-3000 | 6205ZZ | 6203ZZ |
| 100 | 1000-3000 | 6206ZZ | 6205ZZ |
| 112 | 1000-3000 | 6206ZZ | 6206ZZ |
| 132 | 1000-3000 | 6208ZZ | 6305ZZ |
| 160 | 1000-3000 | 6309ZZ | 6307ZZ |
| 180 | 1000-3000 | 6310ZZ | 6308ZZ |
| 200 | 1000-3000 | 6312 | 6212 |
| 225 | 3000 | 6312 | 6312 |
| 225 | 1000-1500 | 6313 | 6312 |
| 250 | 3000 | 6313 | 6313 |
| 250 | 1000-1500 | 6314 | 6313 |
| 280 | 3000 | 6314 | 6314 |
| 280 | 1000-1500 | 6317 | 6314 |
| 315 | 3000 | 6317 | 6317 |
| 315 | 1000-1500 | 6319 | 6319 |

IE5

| 机座号 | 转速 r/min | 轴伸端 | 非轴伸端 |
|-----|-----------|--------|--------|
| 63 | 1000~3000 | 6201ZZ | 6201ZZ |
| 71 | 1000~3000 | 6202ZZ | 6202ZZ |
| 80 | 1000~3000 | 6204ZZ | 6204ZZ |
| 90 | 1000~3000 | 6205ZZ | 6203ZZ |
| 100 | 1000~3000 | 6206ZZ | 6205ZZ |
| 112 | 1000~3000 | 6206ZZ | 6206ZZ |
| 132 | 1000~3000 | 6208ZZ | 6208ZZ |
| 160 | 1000~3000 | 6309ZZ | 6309ZZ |
| 180 | 1000~3000 | 6310ZZ | 6308ZZ |
| 200 | 1000~3000 | 6312 | 6212 |
| 225 | 1000~3000 | 6313 | 6312 |
| 250 | 1000~3000 | 6314 | 6313 |
| 280 | 1000~3000 | 6317 | 6314 |
| 315 | 1000~3000 | 6319 | 6319 |

IE4

| | r/min | | |
|-----|-----------|--------|--------|
| 56 | 1000~3000 | 6200ZZ | 6200ZZ |
| 63 | 1000~3000 | 6201ZZ | 6201ZZ |
| 71 | 1000~3000 | 6202ZZ | 6202ZZ |
| 80 | 1000~3000 | 6204ZZ | 6204ZZ |
| 90 | 1000~3000 | 6205ZZ | 6203ZZ |
| 100 | 1000~3000 | 6206ZZ | 6205ZZ |
| 112 | 1000~3000 | 6206ZZ | 6206ZZ |
| 132 | 1000~3000 | 6208ZZ | 6208ZZ |
| 160 | 1000~3000 | 6309ZZ | 6309ZZ |
| 180 | 1000~3000 | 6310ZZ | 6308ZZ |
| 200 | 1000~3000 | 6312 | 6212 |
| 225 | 1000~3000 | 6313 | 6312 |
| 250 | 1000~3000 | 6314 | 6313 |
| 280 | 1000~3000 | 6317 | 6314 |
| 315 | 1000~3000 | 6319 | 6319 |



380V 660V

50Hz 60Hz

IE4 IE5

IMB3 IMB35 IMB5 IMV1

IP55 IP56

S1

155(F) 180(H)



IE4 280 220kW 3000r/min 380V IP55 F
WEPM-280S-220-3000 380V IMB3 IP55 F IE4





" " (iMotorLinx) " "



0



H315

ZIX

Ex b CT4Gb



H315

ZBX

Ex d CT6Gb



4

5

4G RS485 4-20mA

OTA

AC220V/380V DC24V

AC220V

M20X1.5



(iMotorLinx)

PC



AI



FFT



AR

3D

APP

